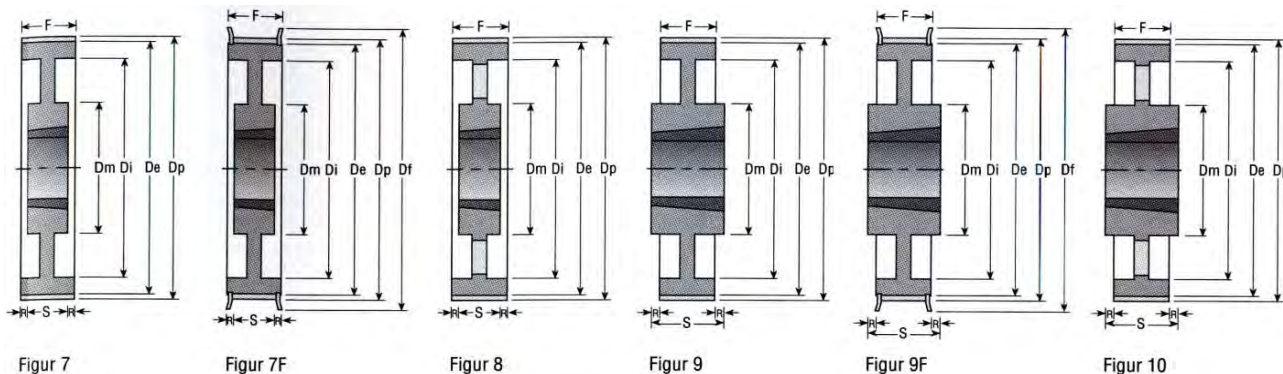


Typ PC 8M - Pro řemeny PC GT a CTD Synchrochain 8M / For belts PC GT and CTD Synchrochain 8M

Zubů Teeth	Šíř.ř. Width	Označení / Obj.č. Part.No.	Typ Fig.	* Mat. Mat.	Pouzdro Bush	Max.díra Max.Bore	Dp [mm]	De [mm]	Df [mm]	Dm [mm]	Di [mm]	F [mm]	S [mm]	R [mm]	m [kg]
22	12	22S-8M-12 PB12	1F	ST	PB12	28,0	56,02	54,42	62,0	43,0	-	20,0	30,0	-	0,42
	21	22S-8M-21 PB12	1F	ST	PB12	28,0	56,02	54,42	62,0	43,0	-	30,0	40,0	-	0,57
25	12	25S-8M-12 1108	2F	GG	1108	28,0	63,66	62,06	70,0	49,0	-	20,0	22,0	-	0,43
	21	25S-8M-21 1108	3F	GG	1108	28,0	63,66	62,06	70,0	-	-	30,0	22,0	8,0	0,60
	36	25S-8M-36 PB12	1F	ST	PB12	32,0	63,66	62,06	70,0	49,0	-	45,0	55,0	-	1,02
28	12	28S-8M-12 1108	2F	GG	1108	28,0	71,30	69,70	79,0	59,0	-	20,0	22,0	-	0,60
	21	28S-8M-21 1210	3F	ST	1210	32,0	71,30	69,70	79,0	-	-	30,0	25,0	5,0	0,75
	36	28S-8M-36 1210	3F	ST	1210	32,0	71,30	69,70	79,0	-	-	45,0	25,0	20,0	1,11
30	12	30S-8M-12 1210	2F	GG	1210	32,0	76,39	74,79	86,0	66,0	-	20,0	25,0	-	0,67
	21	30S-8M-21 1210	3F	ST	1210	32,0	76,39	74,79	86,0	-	-	30,0	25,0	5,0	0,83
	36	30S-8M-36 1610	3F	ST	1610	42,0	76,39	74,79	86,0	-	-	45,0	25,0	20,0	1,22
	62	30S-8M-62 PB20	1F	ST	PB20	42,0	76,39	74,79	86,0	65,0	-	72,0	84,0	-	2,45
32	12	32S-8M-12 1610	2F	GG	1610	42,0	81,49	79,89	90,0	66,0	-	20,0	25,0	-	0,77
	21	32S-8M-21 1610	3F	ST	1610	42,0	81,49	79,89	90,0	-	-	30,0	25,0	5,0	0,97
	36	32S-8M-36 1610	3F	ST	1610	42,0	81,89	79,89	90,0	-	-	45,0	25,0	20,0	1,45
	62	32S-8M-62 PB20	1F	ST	PB20	50,0	81,49	79,89	90,0	69,0	-	72,0	84,0	-	2,82
34	12	34S-8M-12 1610	2F	GG	1610	42,0	86,58	84,98	95,0	70,0	-	20,0	25,0	-	0,88
	21	34S-8M-21 1610	3F	GG	1610	42,0	86,58	84,98	95,0	-	-	30,0	25,0	5,0	1,12
	36	34S-8M-36 1610	3F	GG	1610	42,0	86,58	84,98	95,0	-	-	45,0	25,0	20,0	1,66
	62	34S-8M-62 PB20	1F	ST	PB20	55,0	86,58	84,98	95,0	74,0	-	72,0	84,0	-	3,17
36	12	36S-8M-12 1610	2F	GG	1610	42,0	91,67	90,07	98,0	78,0	-	20,0	25,0	-	1,02
	21	36S-8M-21 1610	3F	GG	1610	42,0	91,67	90,07	98,0	-	-	30,0	25,0	5,0	1,29
	36	36S-8M-36 1610	3F	GG	1610	42,0	91,67	90,07	98,0	-	-	45,0	25,0	20,0	1,90
	62	36S-8M-62 PB20	1F	ST	PB20	60,0	91,67	90,07	98,0	77,0	-	72,0	84,0	-	3,52
38	12	38S-8M-12 1610	2F	GG	1610	42,0	96,77	95,17	106,0	80,0	-	20,0	25,0	-	1,15
	21	38S-8M-21 1610	3F	GG	1610	42,0	96,77	95,17	106,0	-	-	30,0	25,0	5,0	1,34
	36	38S-8M-36 1610	3F	GG	1610	42,0	96,77	95,17	106,0	-	-	45,0	25,0	20,0	2,21
	62	38S-8M-62 PB20	1F	ST	PB20	60,0	96,77	95,17	106,0	84,0	-	72,0	84,0	-	3,91
40	12	40S-8M-12 1610	2F	GG	1610	42,0	101,86	100,26	111,0	85,0	-	20,0	25,0	-	1,19
	21	40S-8M-21 1610	3F	GG	1610	42,0	101,86	100,26	111,0	-	-	30,0	25,0	5,0	1,50
	36	40S-8M-36 2012	3F	ST	2012	50,0	101,86	100,26	111,0	-	-	45,0	32,0	13,0	2,36
	62	40S-8M-62 2012	3F	GG	2012	50,0	101,86	100,26	111,0	-	-	72,0	32,0	40,0	3,76
45	12	45S-8M-12 2012	2F	GG	2012	50,0	114,59	112,99	119,0	92,0	-	20,0	32,0	-	1,76
	21	45S-8M-21 2012	2F	GG	2012	50,0	114,59	112,99	119,0	92,0	-	30,0	32,0	-	2,03
	36	45S-8M-36 2012	3F	GG	2012	50,0	114,59	112,99	119,0	-	-	45,0	32,0	13,0	3,07
	62	45S-8M-62 2012	3F	GG	2012	50,0	114,59	112,99	119,0	-	-	72,0	32,0	40,0	4,88
48	12	48S-8M-12 2012	2F	GG	2012	50,0	122,23	120,63	135,0	104,0	-	20,0	32,0	-	2,16
	21	48S-8M-21 2012	2F	GG	2012	50,0	122,23	120,63	135,0	104,0	-	30,0	32,0	-	2,24
	36	48S-8M-36 2012	3F	GG	2012	50,0	122,23	120,63	135,0	-	-	45,0	32,0	13,0	3,30
	62	48S-8M-62 2517	3F	GG	2517	60,0	122,23	120,63	135,0	-	-	72,0	45,0	27,0	5,52

* Materiál: ST = ocel, GG = litina / ST = steel, GG = iron cast

PB.. = s předvrtanou dírou d=.. / PB = Min.plain bore


Typ PC 8M - Pro řemeny PC GT a CTD Synchrochain 8M / For belts PC GT and CTD Synchrochain 8M

Zubů Teeth	Šíř.ř. Width	Označení / Obj.č. Part.No.	Typ Fig.	* Mat. Mat.	Pouzdro Bush	Max.díra Max.Bore	Dp [mm]	De [mm]	Df [mm]	Dm [mm]	Di [mm]	F [mm]	S [mm]	R [mm]	m [kg]
50	12	50S-8M-12 2012	2F	GG	2012	50,0	127,32	125,72	135,0	104,0	-	20,0	32,0	-	2,16
21	50S-8M-21 2012	2F	GG	2012	50,0	127,32	125,72	135,0	104,0	-	30,0	32,0	-	2,42	
36	50S-8M-36 2012	3F	GG	2012	50,0	127,32	125,72	135,0	-	-	45,0	32,0	13,0	3,58	
62	50S-8M-62 2517	3F	GG	2517	60,0	127,32	125,72	135,0	-	-	72,0	45,0	27,0	6,03	
56	12	56S-8M-12 2012	2F	GG	2012	50,0	142,60	141,00	151,0	104,0	-	20,0	32,0	-	2,83
21	56S-8M-21 2012	2F	GG	2012	50,0	142,60	141,00	151,0	111,0	-	30,0	32,0	-	3,20	
36	56S-8M-36 2517	3F	GG	2517	60,0	142,60	141,00	151,0	-	-	45,0	45,0	0,0	4,48	
62	56S-8M-62 2517	6F	GG	2517	60,0	142,60	141,00	151,0	-	111,0	72,0	45,0	13,5	5,43	
60	12	60S-8M-12 2012	2F	GG	2012	50,0	152,79	151,19	159,0	111,0	-	20,0	32,0	-	3,24
21	60S-8M-21 2517	2F	GG	2517	60,0	152,79	151,19	159,0	124,0	-	30,0	45,0	-	4,66	
36	60S-8M-36 2517	3F	GG	2517	60,0	152,79	151,19	159,0	-	-	45,0	45,0	0,0	5,30	
62	60S-8M-62 2517	6F	GG	2517	60,0	152,79	151,19	159,0	-	121,0	72,0	45,0	13,5	6,33	
64	12	64S-8M-12 2012	2F	GG	2012	50,0	162,97	161,37	168,0	111,0	-	20,0	32,0	-	3,51
21	64S-8M-21 2517	2F	GG	2517	60,0	162,97	161,37	168,0	124,0	-	30,0	45,0	-	5,28	
36	64S-8M-36 2517	3F	GG	2517	60,0	162,97	161,37	168,0	-	-	45,0	45,0	0,0	6,19	
62	64S-8M-62 2517	6F	GG	2517	60,0	162,97	161,37	168,0	-	131,0	72,0	45,0	13,5	7,11	
75	12	75S-8M-12 2012	2	GG	2012	50,0	190,99	189,39	-	111,0	-	20,0	32,0	-	4,57
21	75S-8M-21 2517	2	GG	2517	60,0	190,99	189,39	-	124,0	-	30,0	45,0	-	6,77	
36	75S-8M-36 3020	2	GG	3020	75,0	190,99	189,39	-	150,0	-	45,0	51,0	-	8,72	
62	75S-8M-62 3020	6	GG	3020	75,0	190,99	189,39	-	-	159,0	72,0	51,0	10,5	9,99	
80	12	80S-8M-12 2012	2	GG	2012	50,0	203,72	202,12	-	111,0	-	20,0	32,0	-	5,13
21	80S-8M-21 2517	2	GG	2517	60,0	203,72	202,12	-	124,0	-	30,0	45,0	-	7,61	
36	80S-8M-36 3020	2	GG	3020	75,0	203,72	202,12	-	150,0	-	45,0	51,0	-	9,96	
62	80S-8M-62 3020	6	GG	3020	45,0	203,72	202,12	-	-	172,0	72,0	51,0	10,5		
90	12	90S-8M-12 2012	2	GG	2012	50,0	229,18	227,58	-	111,0	-	20,0	-	-	6,37
21	90S-8M-21 2517	9	GG	2517	60,0	229,18	227,58	-	124,0	198,0	30,0	45,0	7,5	8,57	
36	90S-8M-36 3020	9	GG	3020	75,0	229,18	227,58	-	150,0	197,0	45,0	51,0	3,0	10,41	
62	90S-8M-62 3020	6	GG	3020	75,0	229,18	227,58	-	-	197,0	72,0	51,0	10,5	14,94	
112	21	112S-8M-21 2517	9	GG	2517	60,0	285,21	283,61	-	124,0	253,0	30,0	45,0	7,5	12,50
36	112S-8M-36 3020	9	GG	3020	75,0	285,21	283,61	-	150,0	253,0	45,0	51,0	3,0	14,01	
62	112S-8M-62 3020	7	GG	3020	75,0	285,21	283,61	-	150,0	253,0	72,0	51,0	10,5	14,94	
140	21	140S-8M-21 3020	10	GG	3020	75,0	356,51	354,91	-	150,0	324,0	30,0	51,0	10,5	12,79
36	140S-8M-36 3020	10	GG	3020	75,0	356,51	354,91	-	150,0	324,0	45,0	51,0	3,0	11,98	
62	140S-8M-62 3525	7	GG	3525	100,0	356,51	354,91	-	198,0	324,0	72,0	65,0	3,5	24,77	
168	36	168S-8M-36 3525	10	GG	3525	100,0	427,81	426,21	-	198,0	396,0	45,0	65,0	10,0	23,91
62	168S-8M-62 3525	8	GG	3525	100,0	427,81	426,21	-	198,0	396,0	72,0	65,0	3,5	28,39	
192	36	192S-8M-36 3525	10	GG	3525	100,0	488,92	487,32	-	198,0	457,0	45,0	65,0	10,0	26,53
62	192S-8M-62 3525	8	GG	3525	100,0	488,92	487,32	-	198,0	457,0	72,0	65,0	3,5	32,18	

* Materiál: ST = ocel, GG = litina / ST = steel, GG = iron cast