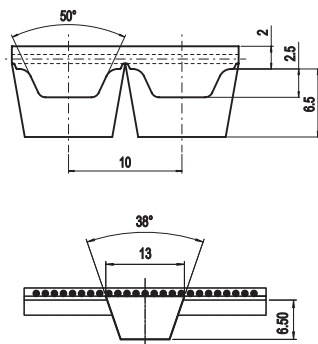


# ATK10 - K13



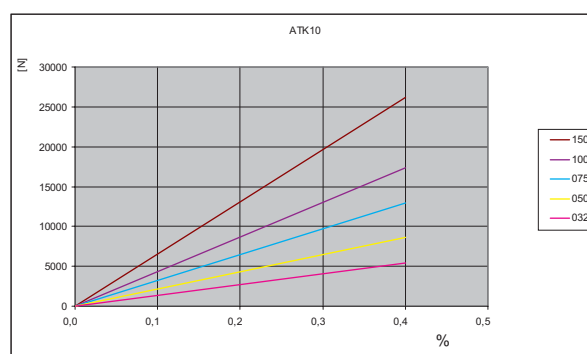
## Belt characteristics

- Polyurethane self track timing belt with steel tension cords
- Profile AT10 with central guide - K13 x 6,5 mm
- Central guide height 6,5 mm
- Allow to use pulleys without flanges
- The central guide is notched in order to maximize belt flexibility
- Ideal for conveying applications where a side load is generated by loading/unloading transferring a product

## Technical data

Belt width b [mm]	Allowable tensile load Type M $F_{Tzul}$ [N]	Allowable tensile load Type V $F_{Tzul}$ [N]	Breaking load Type M $F_{Br}$ [N]	Specific spring rate $C_{spez}$ [N]	Weight [kg/m]
032	5390	2695	20900	1347500	0,27
050	8580	4290	33250	2145000	0,36
075	12990	6495	50350	3247500	0,50
100	17400	8700	67450	4350000	0,72
150	26220	13110	101650	6555000	1,08

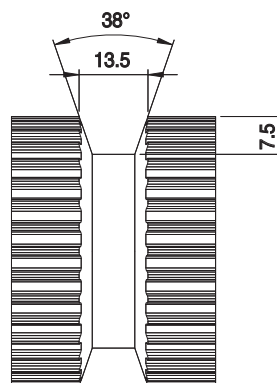
## Load / Elongation [ % ]



## Specialties

PROFILE	Belt width b [mm]	ARAMID CORD	
		$F_{Tzul}$ [N] M type	$F_{Br}$ [N]
ATK10	032	4180	17380
	050	6650	27650
	075	10070	41870
	100	13490	56090
	150	20330	84530

## Pulley profile



## Flexibility

Minimum pulley number of teeth and minimum idler diameter			
PROFILE	ATK10	TYPE OF CORD	
		STANDARD	ARAMID
	Timing pulley $z_{min}$	25	25
	Idler running on belt teeth $d_{min}$	80 mm	80 mm
	Timing pulley $z_{min}$	25	25
	Idler running on belt back $d_{min}$	120 mm	120 mm