



RCK 70 - Samostředící/Self-centring
Pro vyšší zatížení/High Torque Units
Možný axiál.posuv náboje

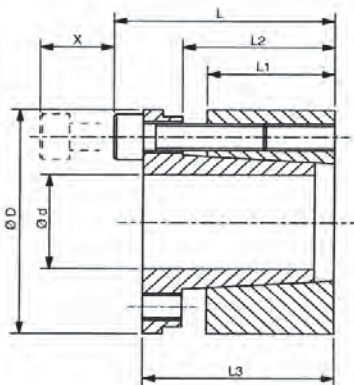
Doporučená tolerance: Hřídel-h8, Náboj-H8

Recommended tolerances: Shaft-h8, Hub-H8

Drsnost povrchu: Rt max. 16µm

Clamping surfaces: Rtmax. 16µm

Materiál: ST = ocel C43 / ST = steel C43



Upínací pouzdra RCK70 - samostředící / Clamping Elements RCK70 - Self-centring

Označení / Obj.č. Part.No.	Rozměry / Dimensions						Moment/ Torque Mt [Nm]	Tlak/Pressure		Up.šrouby/Clamp.Screws			Uvolň./Extr.		Hmot/ Weight [kg]
	d [mm]	D [mm]	L1 [mm]	L2 [mm]	L3 [mm]	L [mm]		Hř./Shaft [N/mm2]	Náb./Hub [N/mm2]	Počet/ No.	Typ/ Type	Moment/ Torq.Nm	Typ/ Type	Počet/ No.	
RCK70-19x47	19	47	26	31	39	45	350	228	98	4	M6x25	17	M6	2	0.38
RCK70-20x47	20	47	26	31	39	45	390	231	100	4	M6x25	17	M6	2	0.37
RCK70-22x47	22	47	26	31	39	45	440	220	95	4	M6x25	17	M6	2	0.36
RCK70-24x50	24	50	26	31	39	45	519	215	102	6	M6x25	17	M6	3	0.39
RCK70-25x50	25	50	26	31	39	45	590	230	105	6	M6x25	17	M6	3	0.38
RCK70-28x55	28	55	26	31	39	45	700	220	110	6	M6x25	17	M6	3	0.45
RCK70-30x55	30	55	26	31	39	45	760	200	120	6	M6x25	17	M6	3	0.42
RCK70-32x60	32	60	26	31	39	45	930	230	114	8	M6x25	17	M6	4	0.52
RCK70-35x60	35	60	26	31	39	45	1030	200	119	8	M6x25	17	M6	4	0.48
RCK70-38x65	38	65	26	31	39	45	1240	210	124	8	M6x25	17	M6	4	0.57
RCK70-40x65	40	65	26	31	39	45	1350	200	125	8	M6x25	17	M6	4	0.54
RCK70-42x75	42	75	30	36	47	55	2170	236	140	6	M8x30	41	M8	3	0.91
RCK70-45x75	45	75	30	36	47	55	2350	236	140	6	M8x30	41	M8	3	0.89
RCK70-48x80	48	80	30	36	47	55	2510	218	135	6	M8x30	41	M8	3	1.00
RCK70-50x80	50	80	30	36	47	55	2580	218	135	6	M8x30	41	M8	3	0.95
RCK70-55x85	55	85	30	36	47	55	3200	223	145	8	M8x30	41	M8	4	1,02
RCK70-60x90	60	90	30	36	47	55	3380	198	157	8	M8x30	41	M8	4	1,11
RCK70-65x95	65	95	30	36	47	55	4160	213	140	8	M8x30	41	M8	4	1,19
RCK70-70x110	70	110	40	46	57	67	6840	225	143	8	M10x35	83	M10	4	2,20
RCK70-75x115	75	115	40	46	62	72	7500	210	138	8	M10x35	83	M10	4	2,53
RCK70-80x120	80	120	40	46	62	72	8100	200	130	8	M10x35	83	M10	4	2,66
RCK70-85x125	85	125	40	46	62	72	9700	210	145	10	M10x35	83	M10	4	2,79
RCK70-90x130	90	130	40	46	62	72	10300	200	138	10	M10x35	83	M10	4	2,93
RCK70-95x135	95	135	40	46	62	72	12100	210	148	10	M10x35	83	M10	4	3,06
RCK70-100x145	100	145	46	52	77	89	15700	216	148	8	M12x45	145	M12	4	4,54
RCK70-110x155	110	155	46	52	77	89	17200	196	139	8	M12x45	145	M12	4	4,92
RCK70-120x165	120	165	46	52	77	89	22500	216	156	10	M12x45	145	M12	4	5,28
RCK70-130x180	130	180	46	52	77	89	24000	196	140	12	M12x45	145	M12	4	5,52
RCK70-140x190	140	190	51	59	84	90	30800	196	145	8	M14x45	230	M14	4	7,25
RCK70-150x200	150	200	51	59	84	90	37150	205	153	10	M14x45	230	M14	5	7,65
RCK70-160x210	160	210	51	59	84	90	40500	205	155	10	M14x45	230	M14	5	8,16
RCK70-170x225	170	225	51	59	84	90	40900	163	123	12	M14x45	230	M14	6	8,75
RCK70-180x235	180	235	51	59	84	90	41300	160	120	12	M14x45	230	M14	6	9,35